

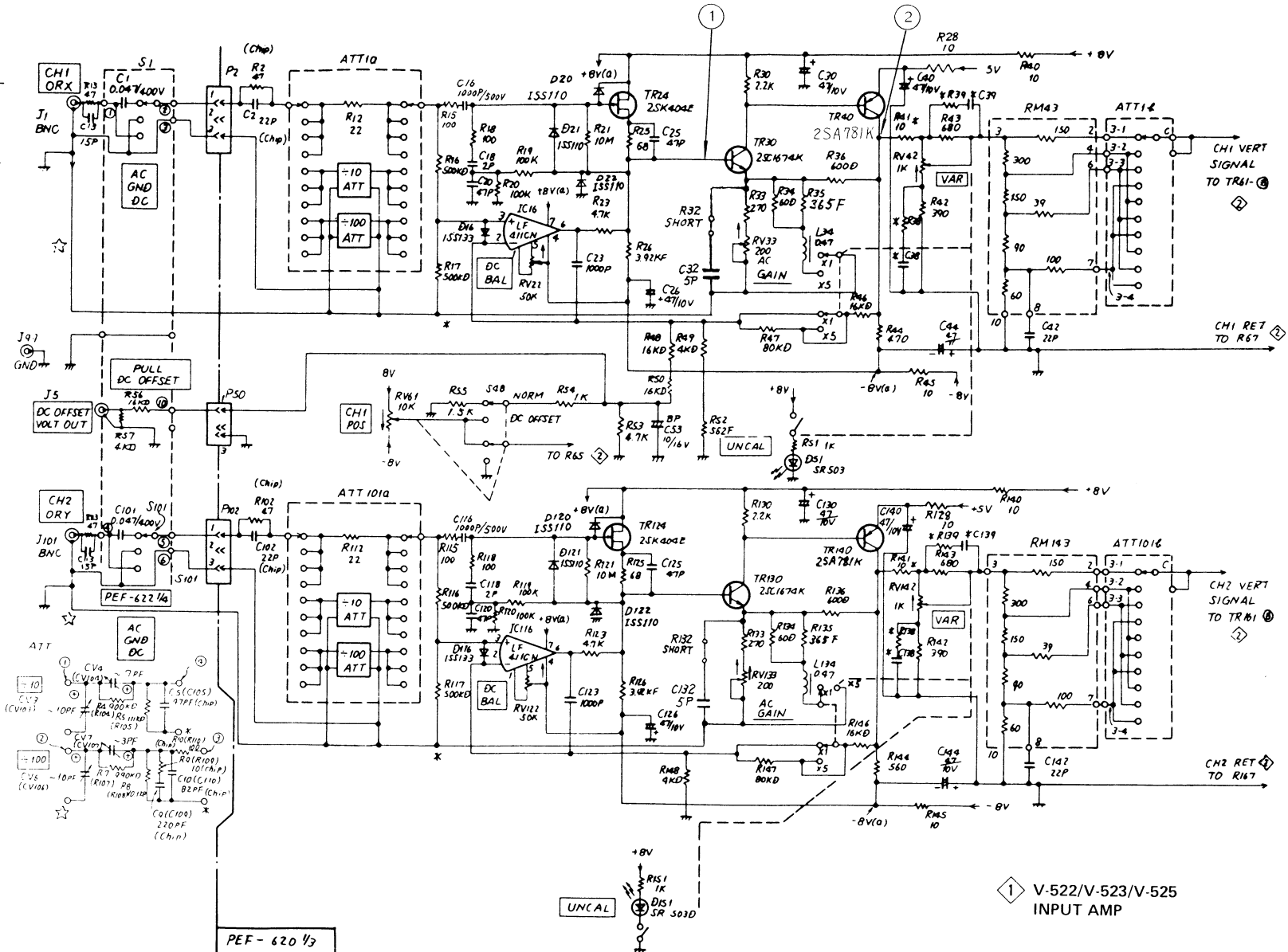
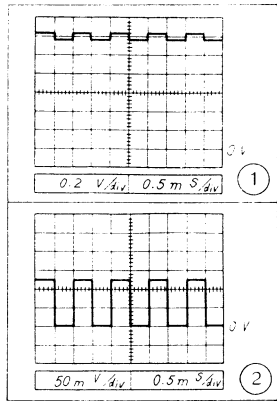
10. SCHEMATIC DIAGRAMS

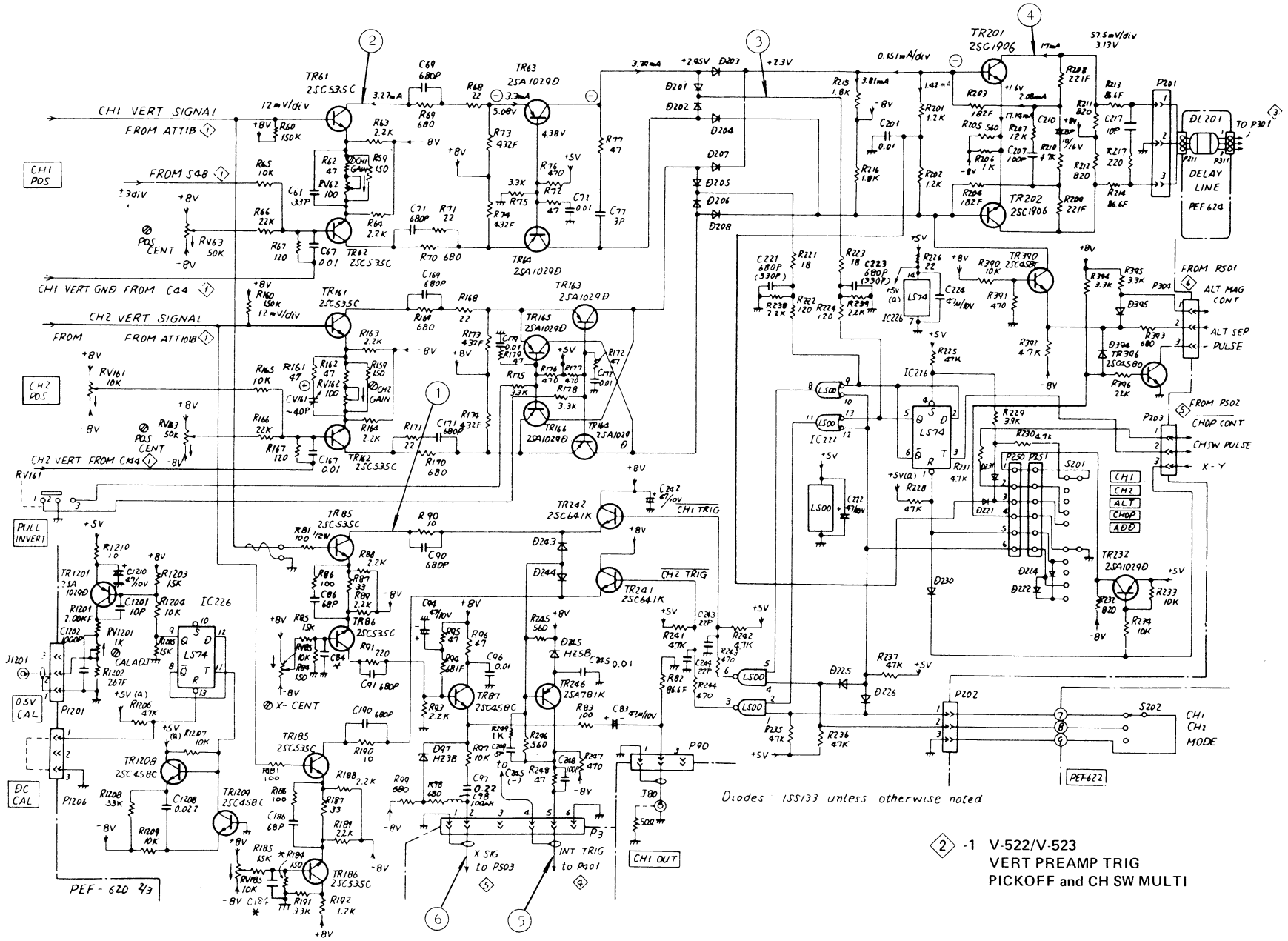
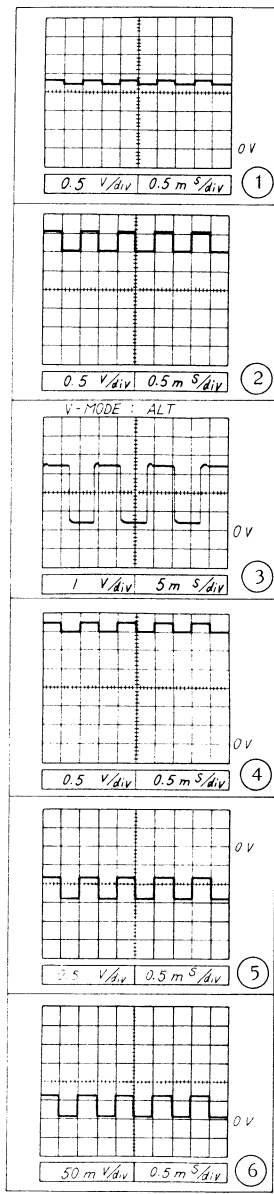
Note

1. This basic circuit diagram is subject to change without notice.
2. All resistor values in ohm: 1/4W and all capacitor values in microfarad unless indicated.
3. Factory selected values.

DC VOLTAGE MEASUREMENT CONDITIONS

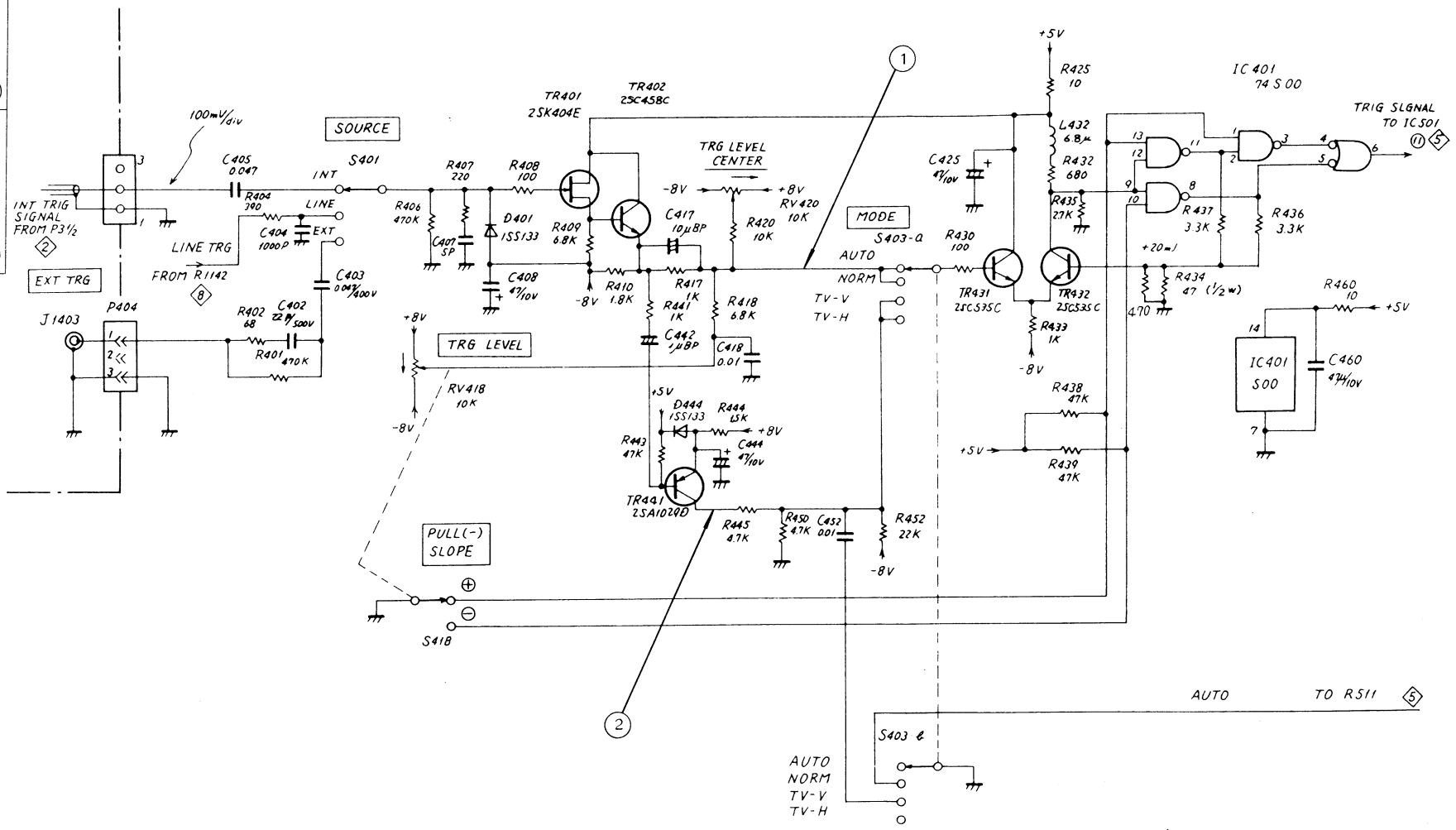
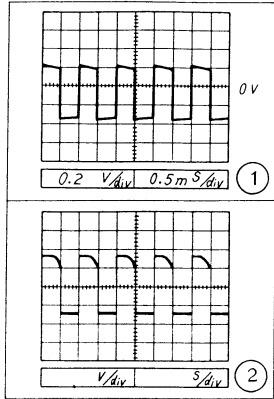
TRIG LEVEL : CENTER
 AC-GND-DC : DC
 VOLTS/DIV : 10 mV
 INPUT : CHI
 TRIG MODE : AUTO
 TRIG SOURCE : INT
 INT TRIG : CHI
 SWEEP TIME : 0.5 ms
 PROBE : 10:1



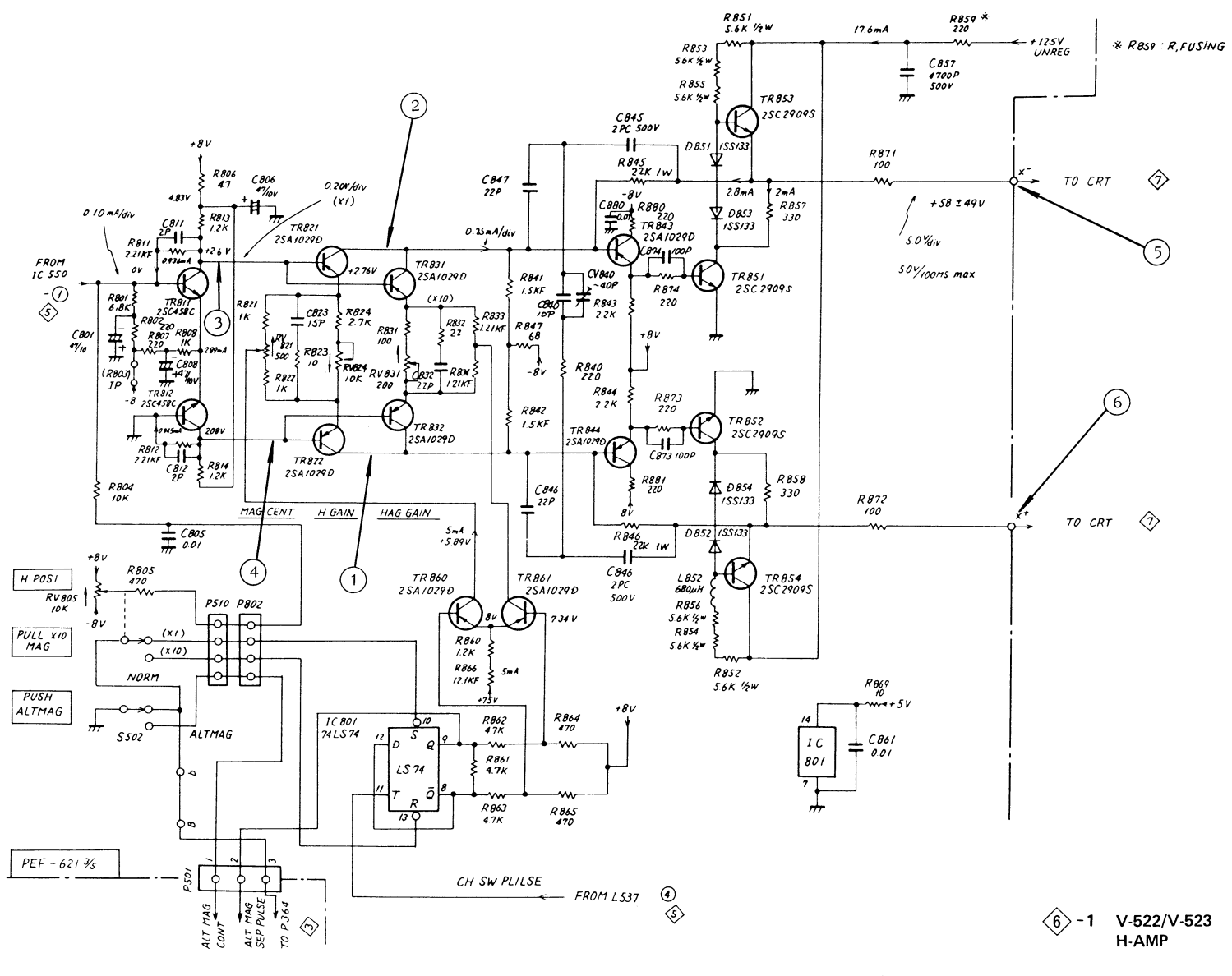
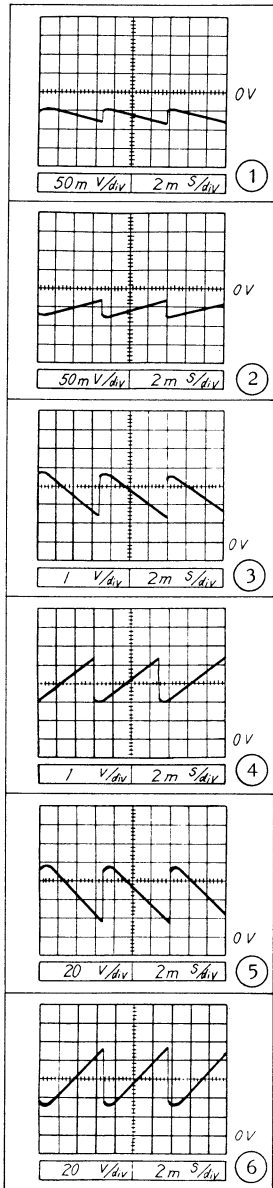


Diodes: 1SS133 unless otherwise noted

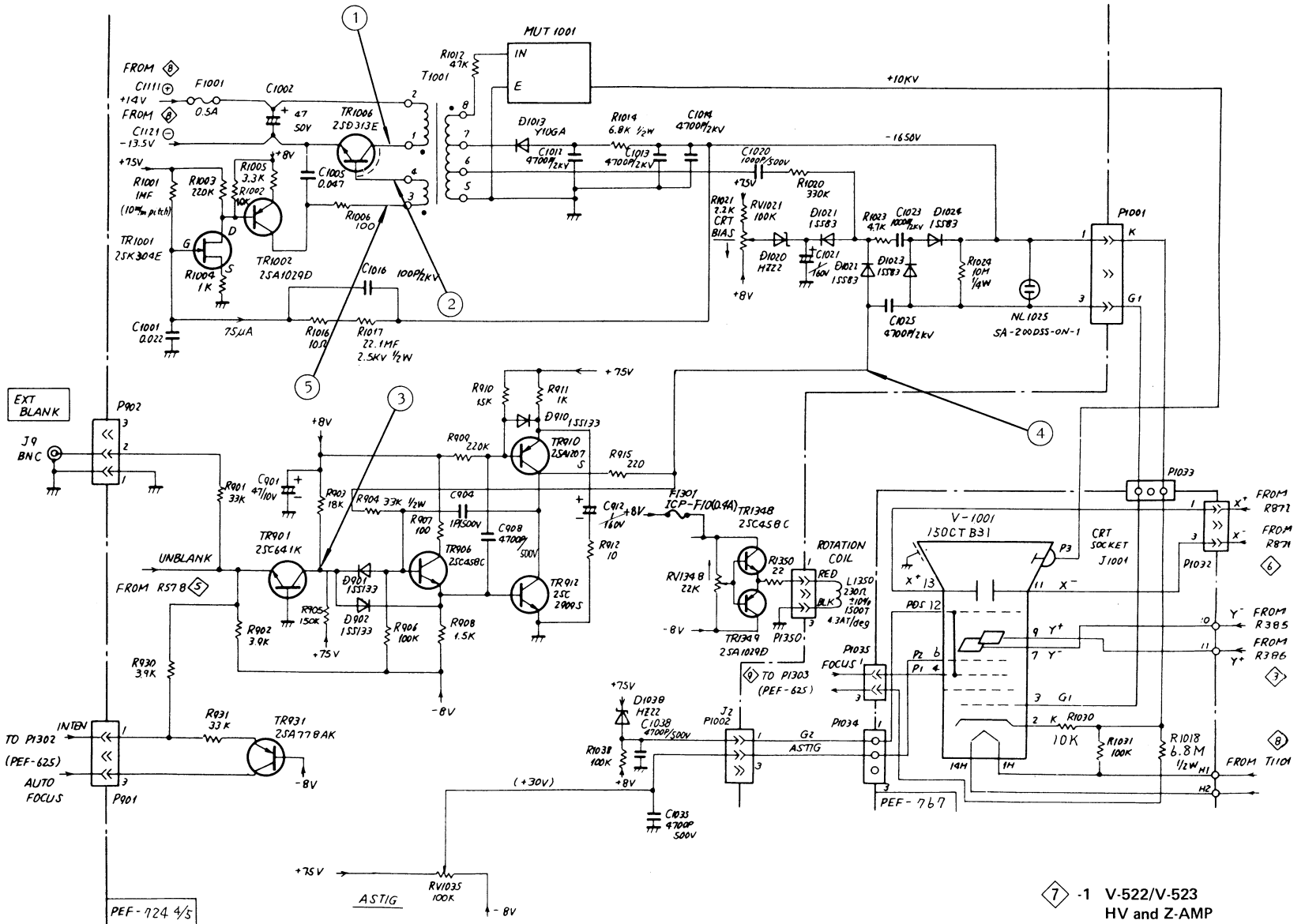
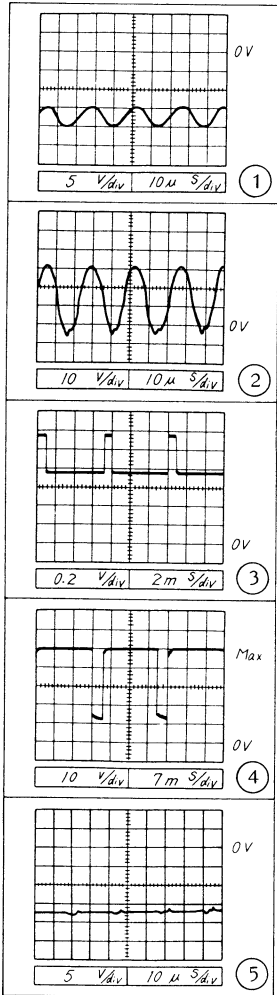
② -1 V-522/V-523
VERT PREAMP TRIG
PICKOFF and CH SW MULTI



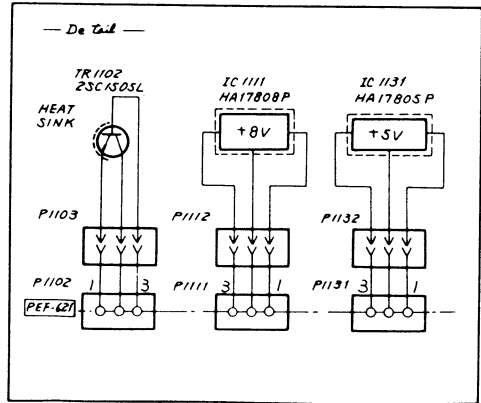
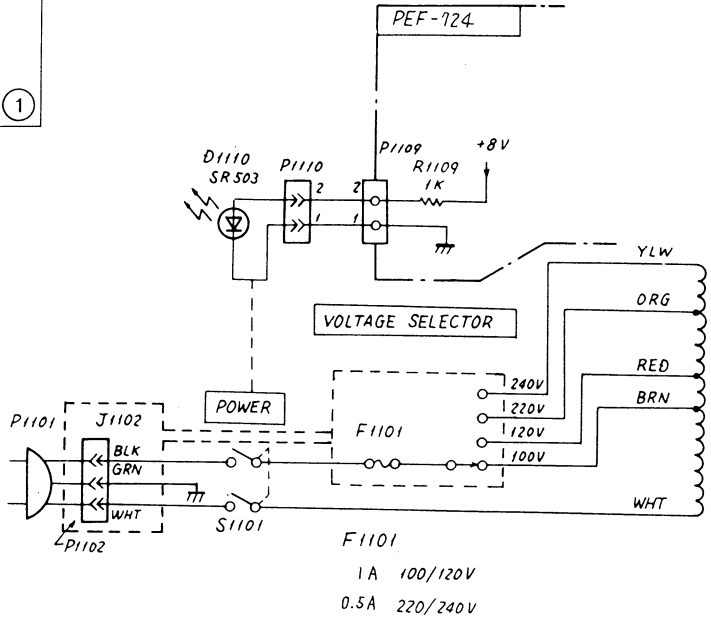
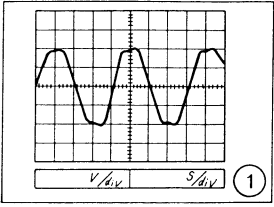
4 V-522/V-523/V-525 TRIG GEN



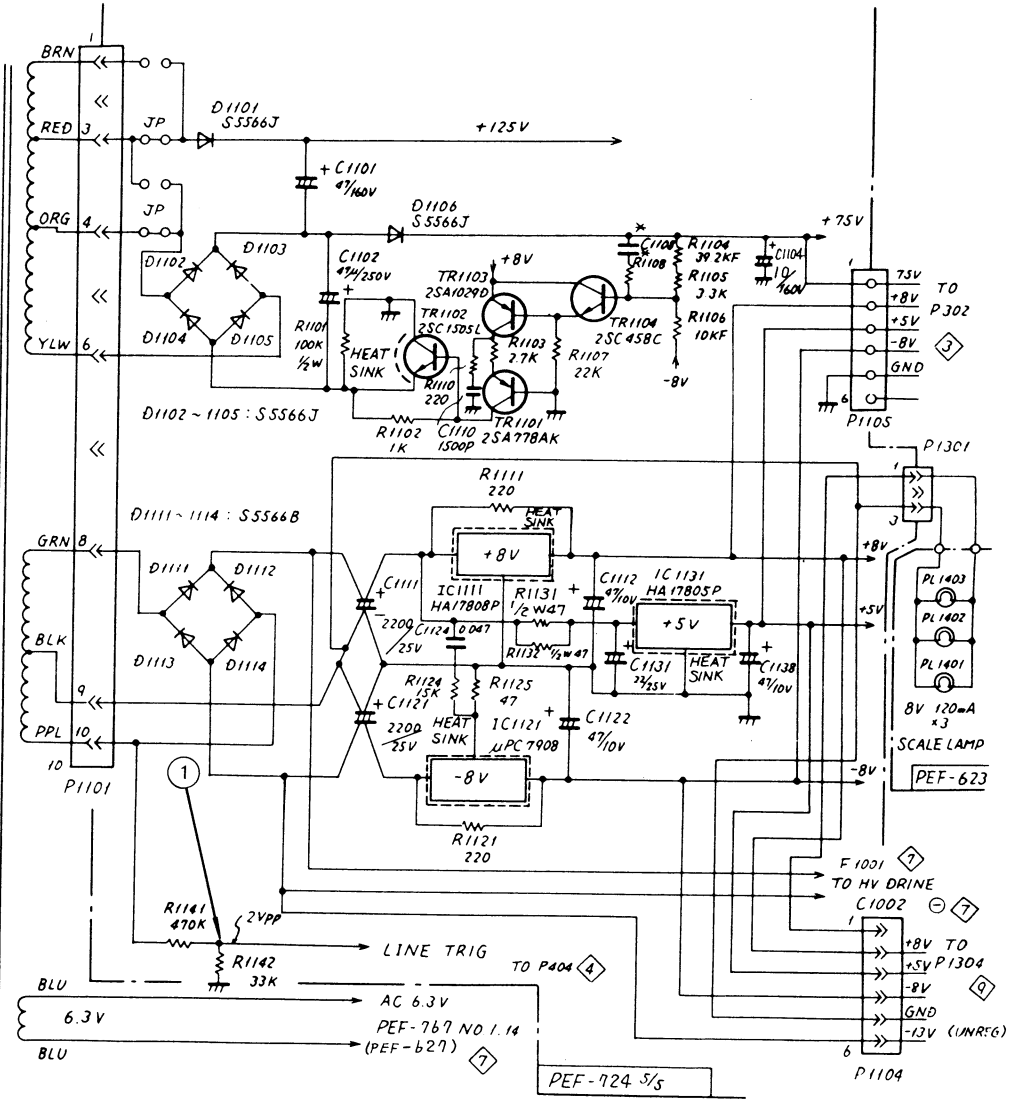
6 -1 V-522/V-523 H-AMP



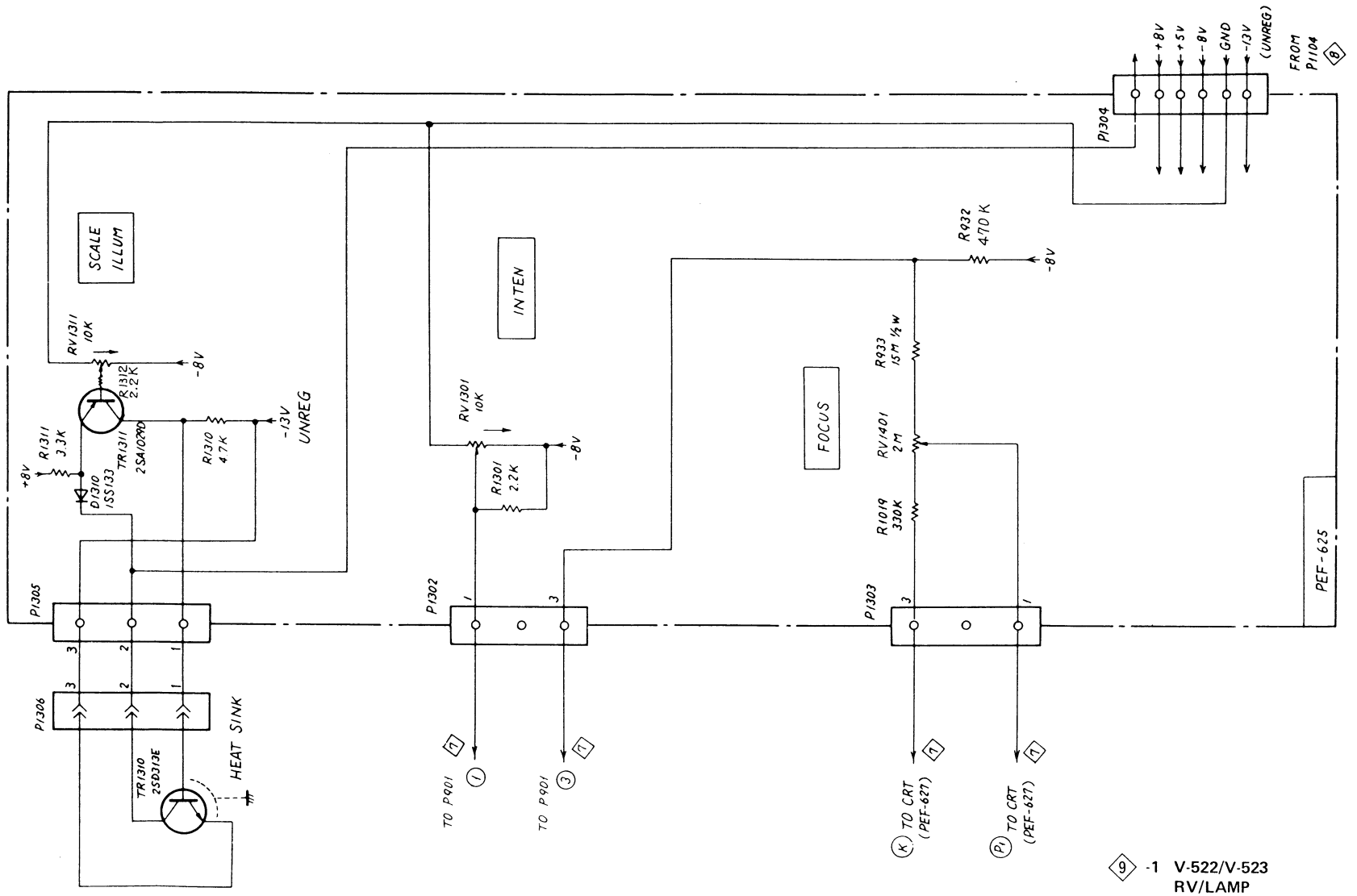
7 -1 V-522/V-523
HV and Z-AMP



T1101



8 -1 V-522/V-523
POWER SUPPLY



9 -1 V-522/V-523
RV/LAMP

